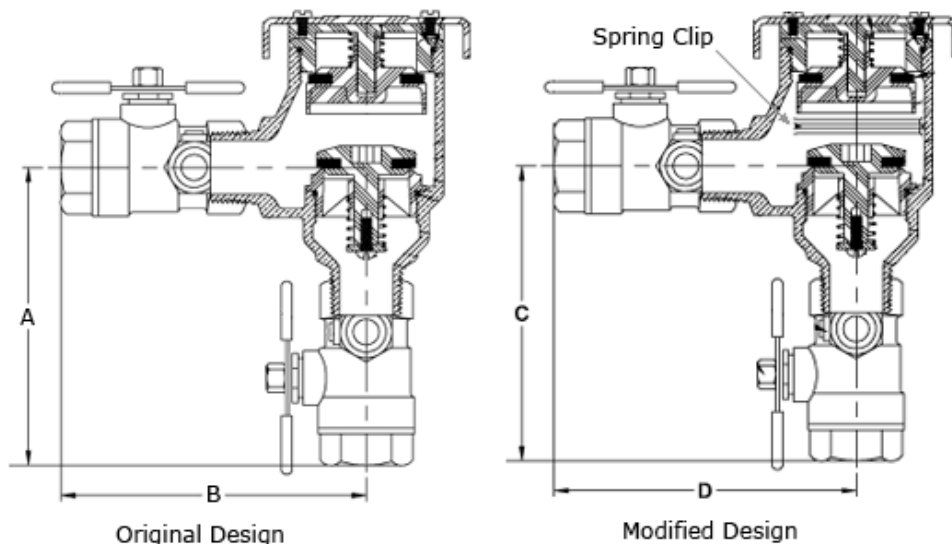


NOTICE 06-002

There has been a change in the design of the body for the Flomatic 3/4"-1" Model PVB Pressure Vacuum Breaker Backsiphonage Prevention Assembly.

The dimensions of the body have been increased as shown below:



Size		Part#	A		B		C		D	
in.	mm		in.	mm	in.	mm	in.	mm	in.	mm
3/4	20	B9500	4-5/16	110	4-1/2	114	4-7/16	113	4-3/4	121
1	25	B9501	5-1/16	129	5	127	5-3/16	132	5-1/4	133

The top of the body has been lengthened to provide more clearance between the air inlet valve and the check valve. To support the air inlet valve when in the fully open position, a stainless steel hex retaining clip is inserted inside the new body design. This new body design may be identified with a serial number P0001 and larger, starting 1 July 2005. Both the original and revised body designs are considered Approved by the Foundation.

The replacement spare parts for the subject assemblies are identical; however, the retaining clip can only be utilized in the new body design.

Should you require any additional information, please contact Flomatic at (800) 833-2040.

Notice 06-002
16 February 2006

Kaprielian Hall 200 ● Los Angeles, California 98889-2531
Phone: 213 740 2032 ● Fax: 213 740 8399